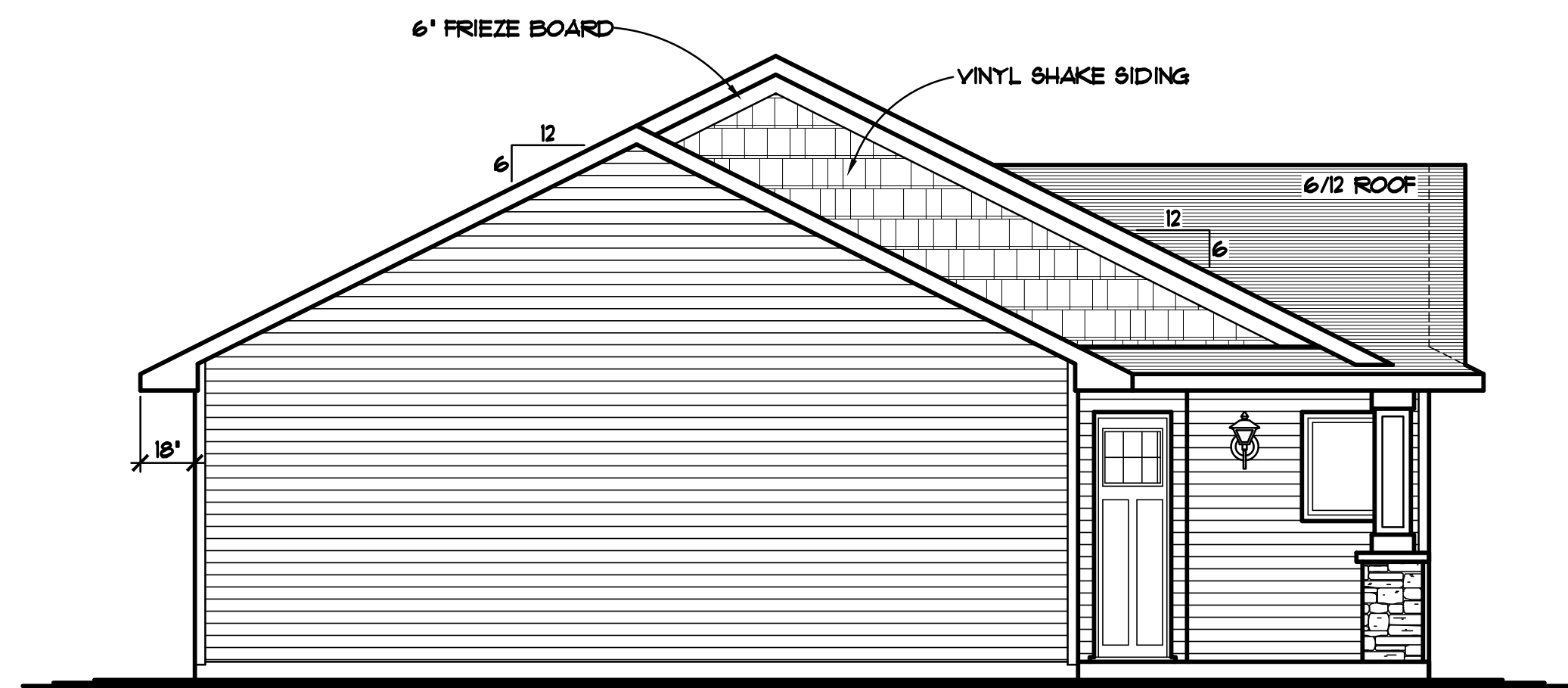
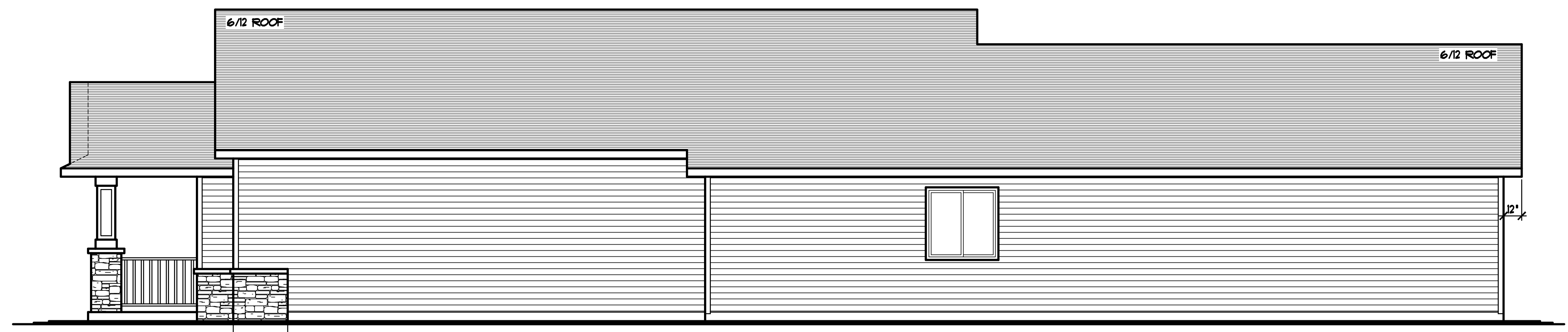


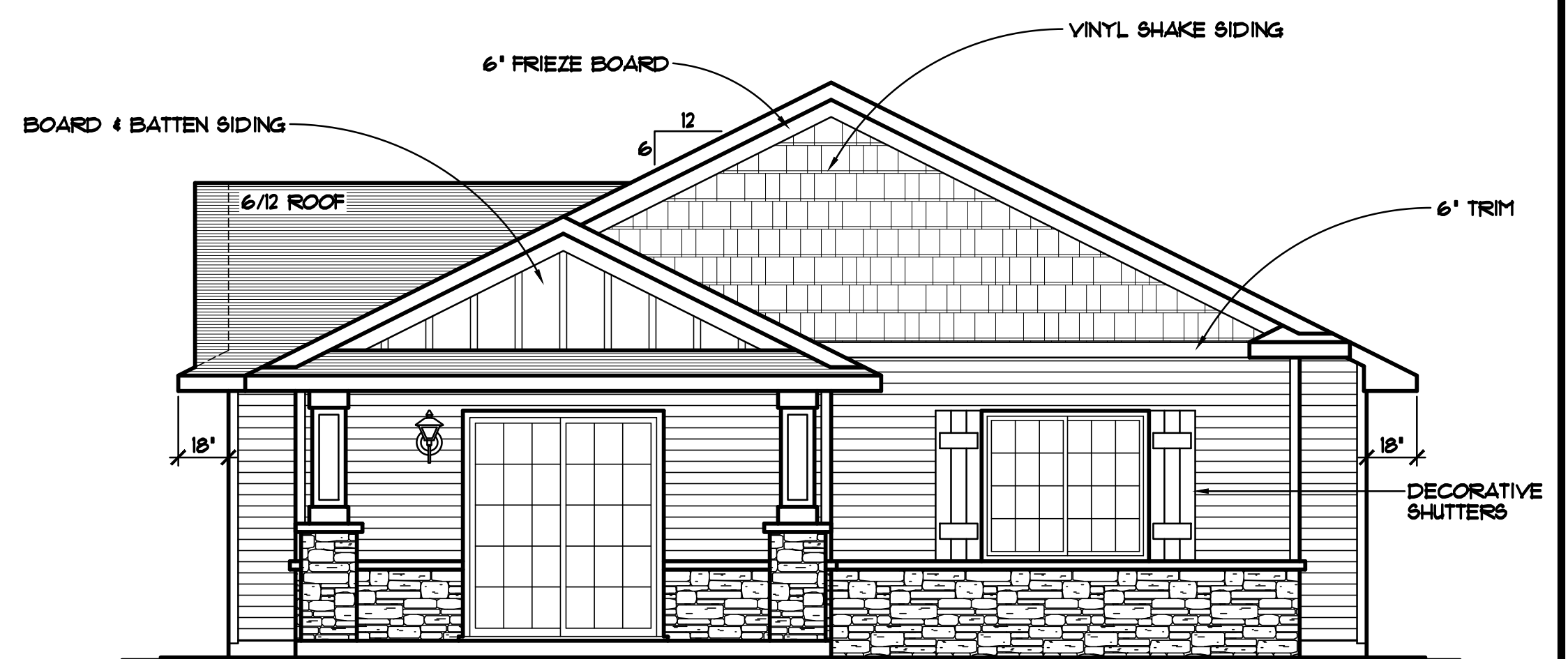
REVISIONS	BY
15226	NF.
16264	NF.
17024	NF.



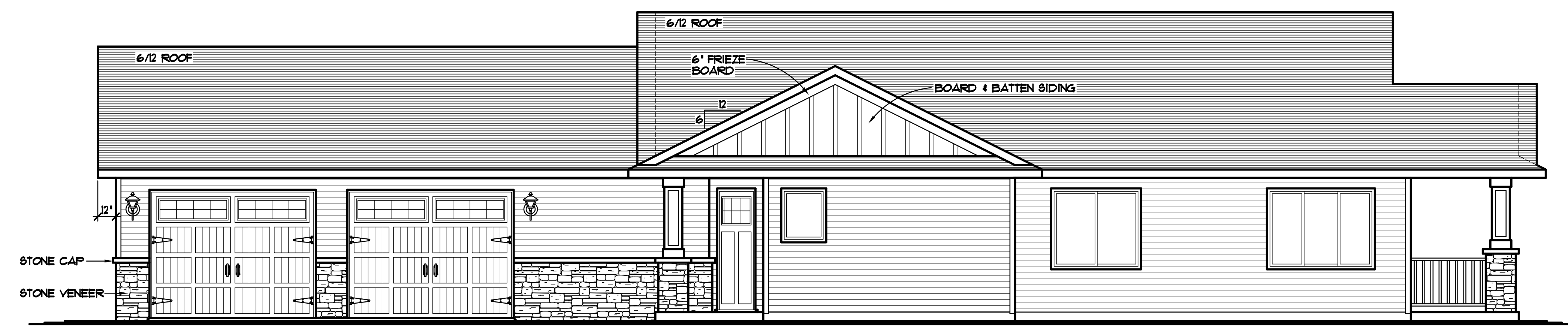
LEFT ELEVATION 1/4"=1'-0"



REAR ELEVATION 1/4"=1'-0"



RIGHT ELEVATION 1/4"=1'-0"



FRONT ELEVATION 1/4"=1'-0"

9'0"x10' 430 CARRIAGE HOUSE COLLECTION, STEEL GARAGE DOOR with 1381 STOCKTON WINDOWS

9'0"x10' 430 CARRIAGE HOUSE COLLECTION, STEEL GARAGE DOOR with 1381 STOCKTON WINDOWS

1341 SQ. FT. MAIN LEVEL
46 SQ. FT. MECH. RY. NOT INCLUDED

- VECTOR WINDOWS SPEC'D. VERIFY ALL DOOR AND WINDOW ROUGH OPENINGS WITH SUPPLIER
- ALUMINUM SOFFITS & FASCIA
- VINYL SIDING/CORNER TRIM
- STONE VENEER AS SHOWN

THE:
ISANTI MODEL HOME
1015 WINSOME WAY NW
LOT 81, BLOCK 3, VILLAGES ON THE RUM
ISANTI, MN

© COPYRIGHT 2015-2011 NOTICE, ALL RIGHTS RESERVED
CROIX DESIGN and DRAFTING, INC.

SPECIAL NOTICE: CROIX DESIGN and DRAFTING, INC. ACCEPTS NO RESPONSIBILITY FOR ANY CONSTRUCTION DEFECTS OR OMISSIONS THAT MAY OCCUR DURING THE CONSTRUCTION OF A PROJECT. THE CLIENT IS RESPONSIBLE FOR VERIFYING ALL DIMENSIONS AND CONDITIONS OF THE PROJECT BEFORE CONSTRUCTION. CROIX DESIGN and DRAFTING, INC. IS NOT RESPONSIBLE FOR ANY CONSTRUCTION DEFECTS OR OMISSIONS THAT MAY OCCUR DURING THE CONSTRUCTION OF A PROJECT.

© COPYRIGHT NOTICE: ALL RIGHTS RESERVED FOR THESE ARCHITECTURAL PLANS AND ALL RELATED WORKS ARE PROTECTED BY UNITED STATES COPYRIGHT LAWS, AND MAY NOT BE REPRODUCED, COPIED, OR TRANSMITTED IN ANY FORM OR BY ANY MEANS WITHOUT THE WRITTEN PERMISSION OF CROIX DESIGN and DRAFTING, INC.

DESIGN and DRAFTING BY:
CROIX
DESIGN & DRAFTING INC.
ARCHITECTURAL DESIGN and DRAFTING SERVICE •
HOME PLAN SERVICE • CUSTOM HOMES • REMODELING •
PHONE: 763.757.5997 • ANDOVER, MINNESOTA •
WWW.CROIXDESIGN.COM

BUILT BY:
SEMLER
HOMES
L.I.C. # 2649
163-154-5518

DRAWN	NF.
CHECKED	XX
DATE	4/12/2011
SCALE	AS NOTED
CADD FILE #	17126

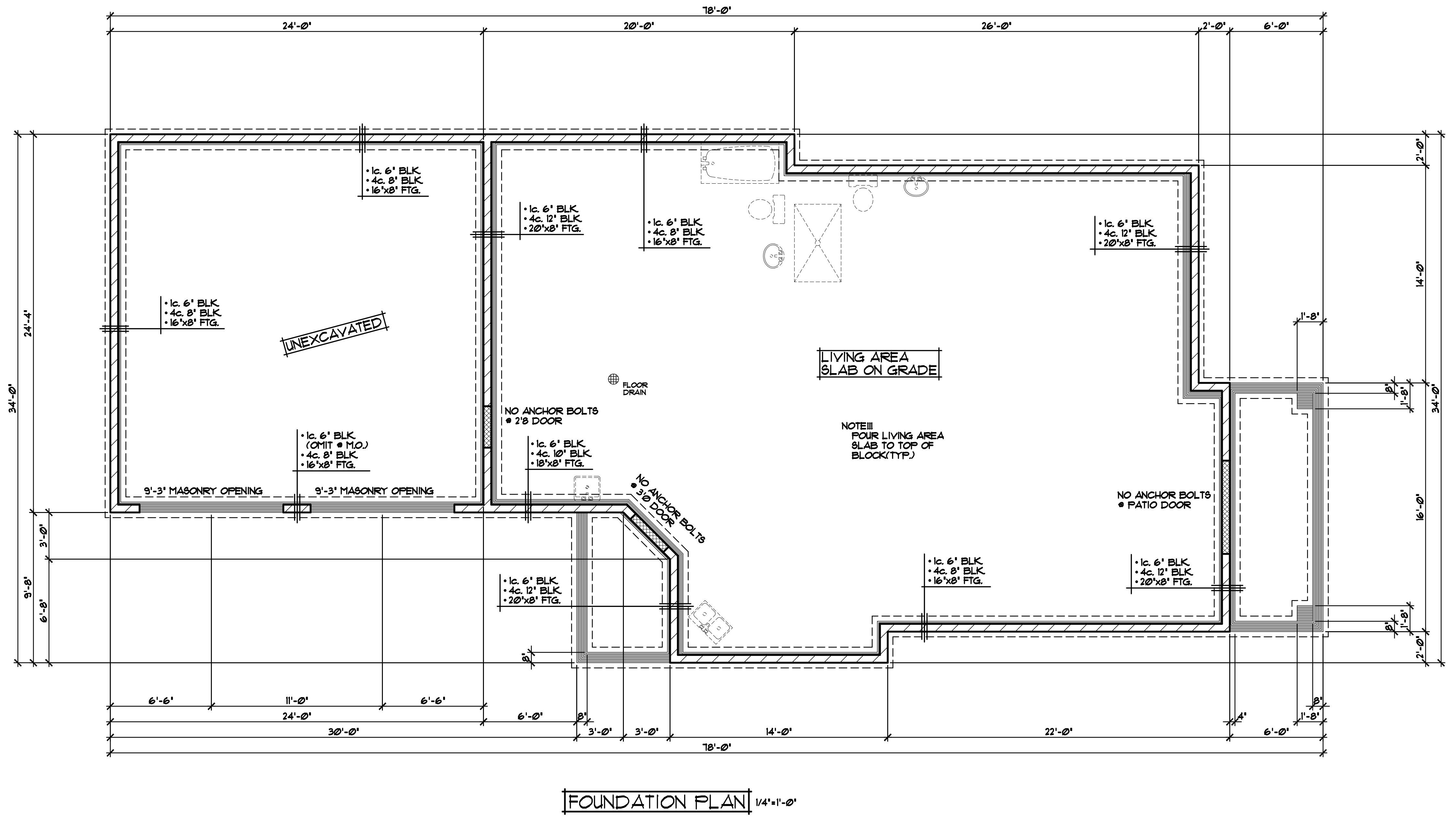
REVISIONS
XXXXXX 0000 BY:XX
XXXXXX 0000 BY:XX

OFFICE: 763.767.6997
 FAX: 763.767.7188
 ANDOVER, MINNESOTA
 WWW.CROIXDESIGN.COM

CROIX
 DESIGN & DRAFTING, INC.

BUILT BY:
SEMLER HOMES

SHEET
2
 OF 4
 CADD FILE #
 1126



ALL HEIGHT CALCULATIONS FOR FOUNDATIONS ARE BASED ON THE USE OF FULL 8" HIGH BLOCK w/ 3/8" JOINTS. IF MODULAR BLOCK IS USED, CONTRACTORS SHOULD ADJUST HEIGHTS ACCORDINGLY.

REVISIONS	
XXXXXX	0000
BY:XXX	
XXXXXX	0000
BY:XXX	

SPECIAL NOTICE:
 CROIX DESIGN & DRAFTING, INC. ACCEPTS NO RESPONSIBILITY FOR ERRORS AND/OR OMISSIONS IN THESE DRAWINGS. THE USER OF THESE DRAWINGS SHALL BE RESPONSIBLE FOR VERIFYING ALL INFORMATION AND CONDITIONS. THE USER SHALL BE RESPONSIBLE FOR OBTAINING ALL NECESSARY PERMITS AND APPROVALS FROM ALL APPLICABLE AGENCIES. THE USER SHALL BE RESPONSIBLE FOR OBTAINING ALL NECESSARY MATERIALS AND LABOR. THE USER SHALL BE RESPONSIBLE FOR OBTAINING ALL NECESSARY INSURANCE AND BONDING. THE USER SHALL BE RESPONSIBLE FOR OBTAINING ALL NECESSARY PROFESSIONAL SERVICES. THE USER SHALL BE RESPONSIBLE FOR OBTAINING ALL NECESSARY PROFESSIONAL SERVICES. THE USER SHALL BE RESPONSIBLE FOR OBTAINING ALL NECESSARY PROFESSIONAL SERVICES.

OFFICE: 763.767.8997
 FAX: 763.767.7438
 ANDOVER, MINNESOTA
 WWW.CROIXDESIGN.COM

CROIX
 DESIGN & DRAFTING, INC.

BUILT BY:
SEMLER HOMES

ROOF CONSTRUCTION:

- PRE-MANUFACTURED ROOF TRUSSES ENGINEERED BY SUPPLIER
- 1/150 ROOF VENTS AT SOFFITS, 1/150 VENT AT RIDGE
- AIR CHUTE AT EACH TRUSS SPACE
- 1/16" OSB ROOF SHEATHING
- 15# ROOFING FELT
- ICE & WATER MEMBRANE APPLIED 24" BEYOND EXTERIOR WALL
- 30 YEAR ARCHITECTURAL SHINGLES

SOFFIT / FASCIA:

- 2x6 SUB FASCIA
- ALUMINUM FASCIA COVER
- ALUMINUM VENTED SOFFIT

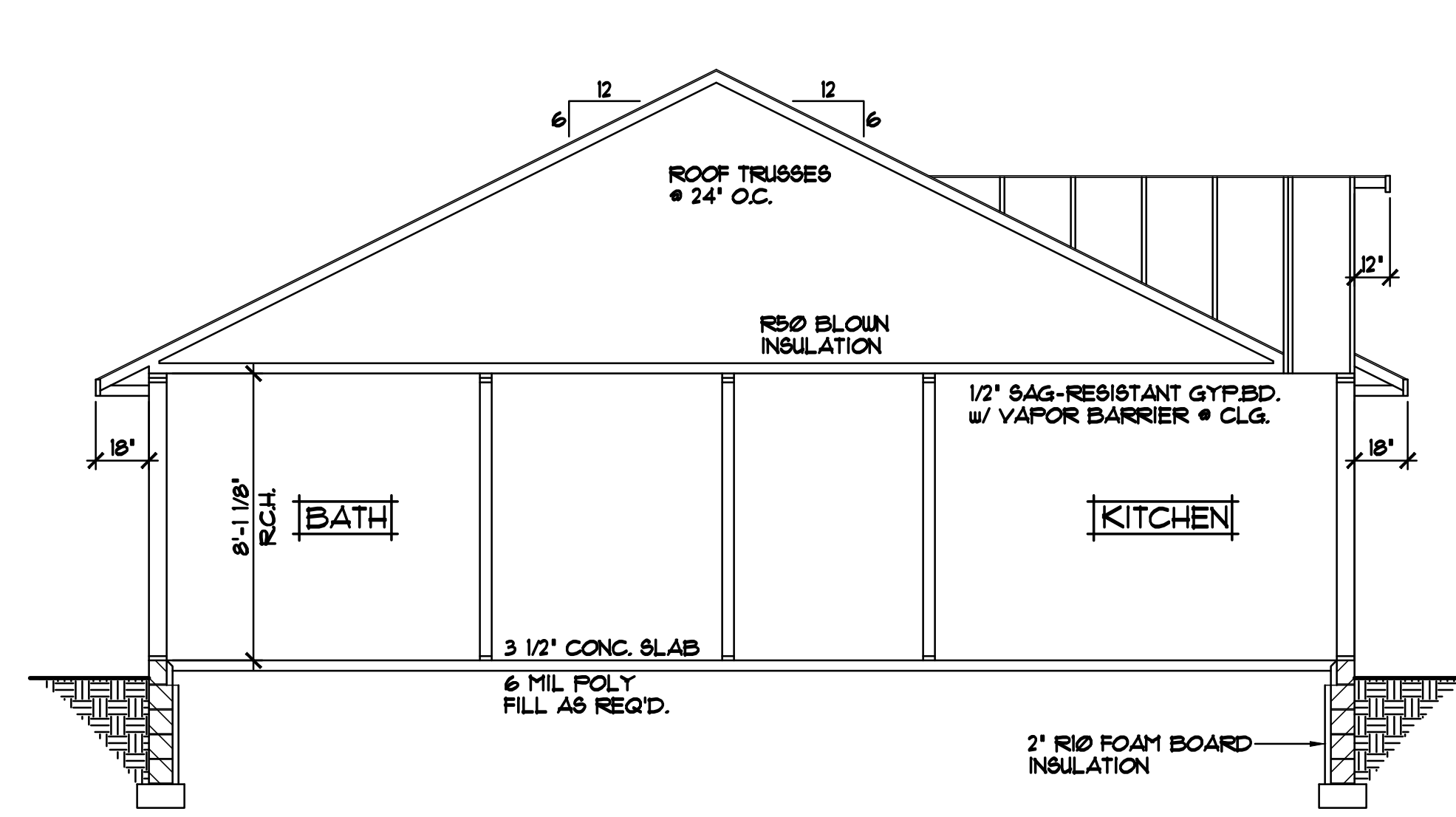
WALL CONSTRUCTION:

- TYVEK HOUSE WRAP
- 1/16" OSB SHEATHING
- 2x6 STUDS @ 16" O.C.
- R21 F.G. BATT INSULATION
- 4 MIL POLY VAPOR BARRIER
- 1/2" GYPSUM BOARD AT INTERIOR

SILL CONSTRUCTION:

- 2x6 TREATED SILL PLATE w/SEALER
- 1/2" ANCHOR BOLTS @ 12" O.C.

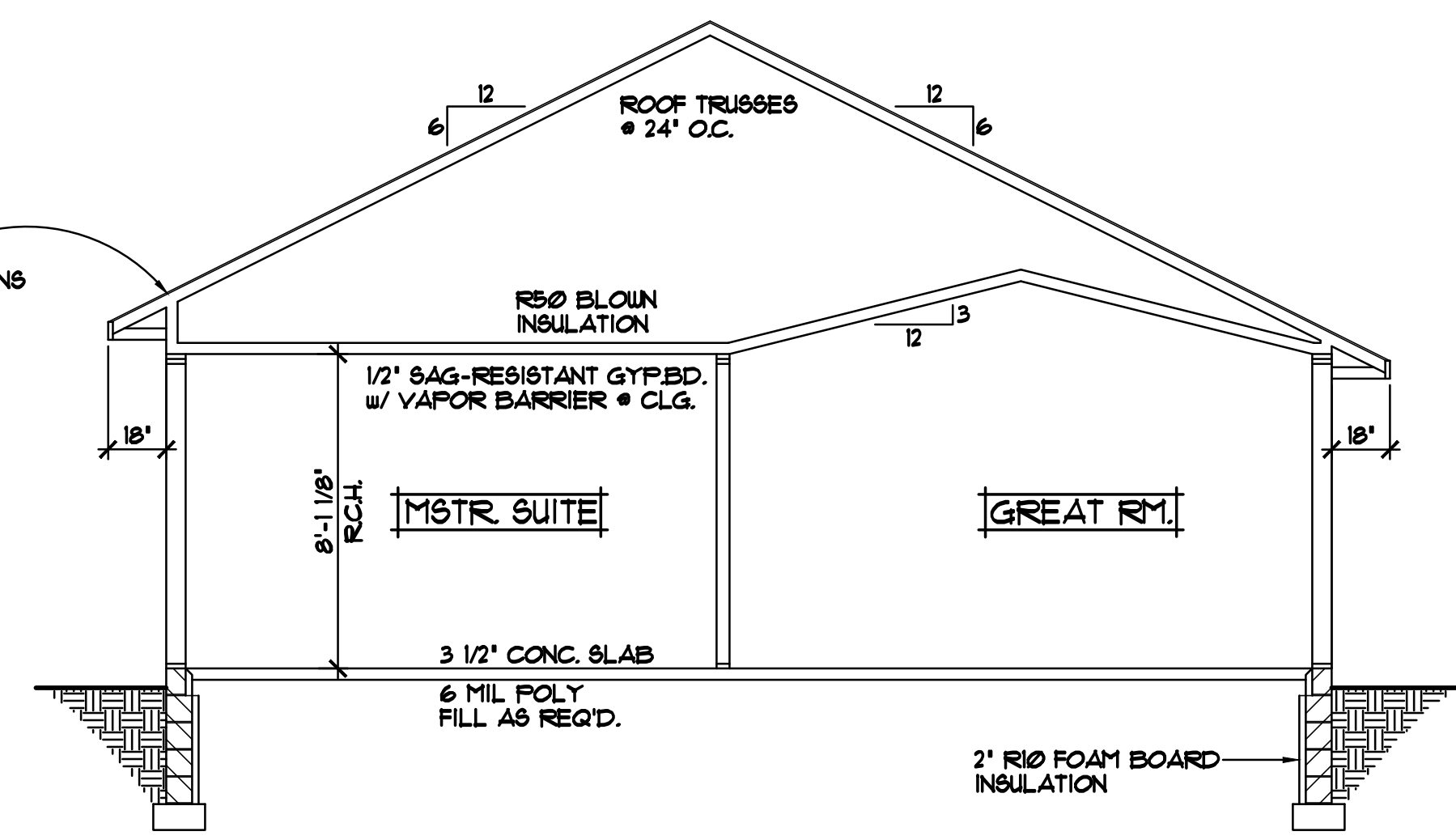
SHEET
 4
 OF 4
 CADD FILE #
 1126



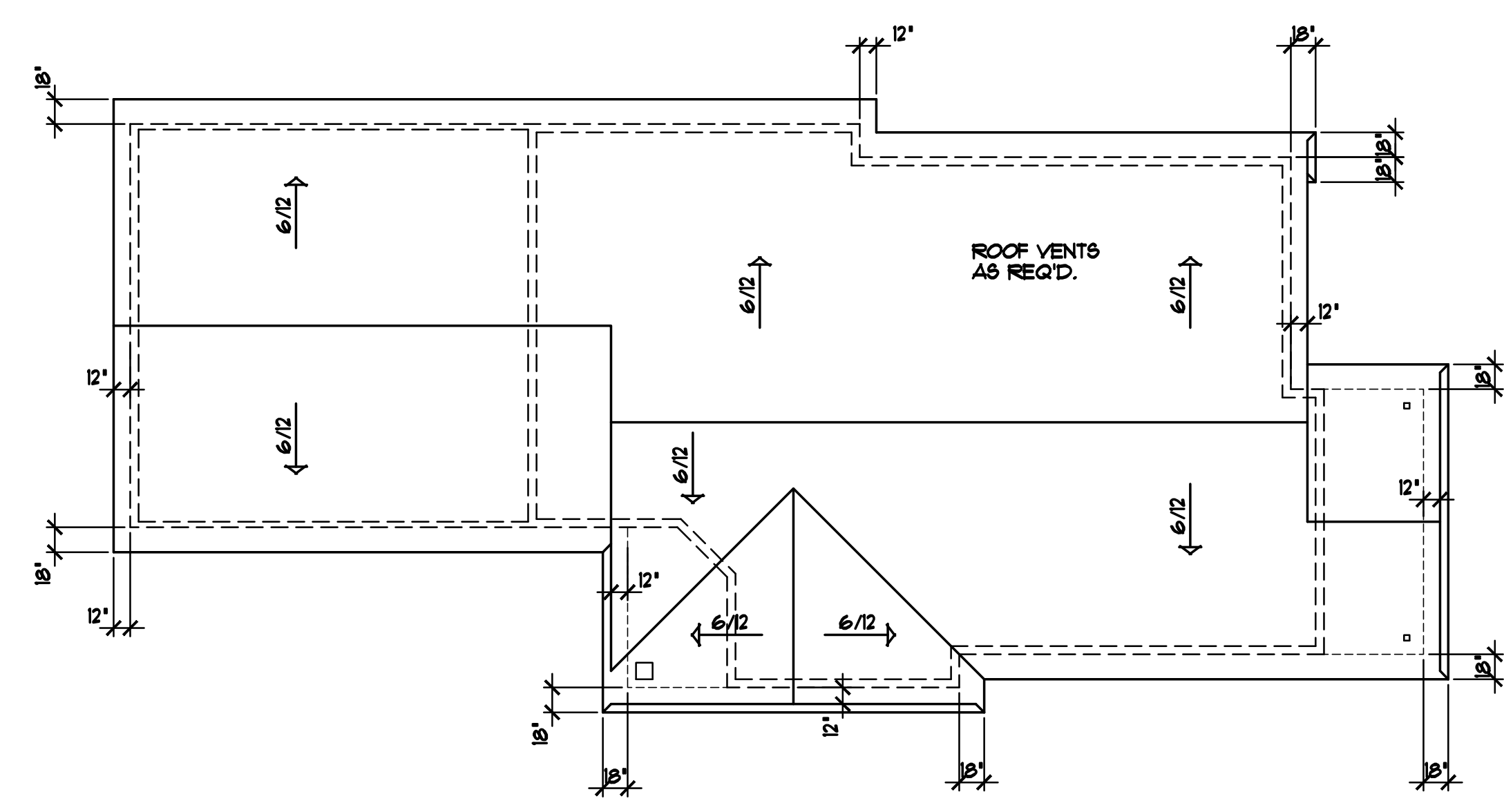
CROSS SECTION "A" 1/4"=1'-0"

- ROOF CONSTRUCTION:**
- PRE-MANUFACTURED ROOF TRUSSES ENGINEERED BY SUPPLIER
 - 1/150 ROOF VENTS AT SOFFITS, 1/150 VENT AT RIDGE
 - AIR CHUTE AT EACH TRUSS SPACE
 - 1/16" OSB ROOF SHEATHING
 - 15# ROOFING FELT
 - ICE & WATER MEMBRANE APPLIED 24" BEYOND EXTERIOR WALL
 - 30 YEAR ARCHITECTURAL SHINGLES
- SOFFIT / FASCIA:**
- 2x6 SUB FASCIA
 - ALUMINUM FASCIA COVER
 - ALUMINUM VENTED SOFFIT
- WALL CONSTRUCTION:**
- TYVEK HOUSE WRAP
 - 1/16" OSB SHEATHING
 - 2x6 STUDS @ 16" O.C.
 - R21 F.G. BATT INSULATION
 - 4 MIL POLY VAPOR BARRIER
 - 1/2" GYPSUM BOARD AT INTERIOR
- SILL CONSTRUCTION:**
- 2x6 TREATED SILL PLATE w/SEALER
 - 1/2" ANCHOR BOLTS @ 12" O.C.

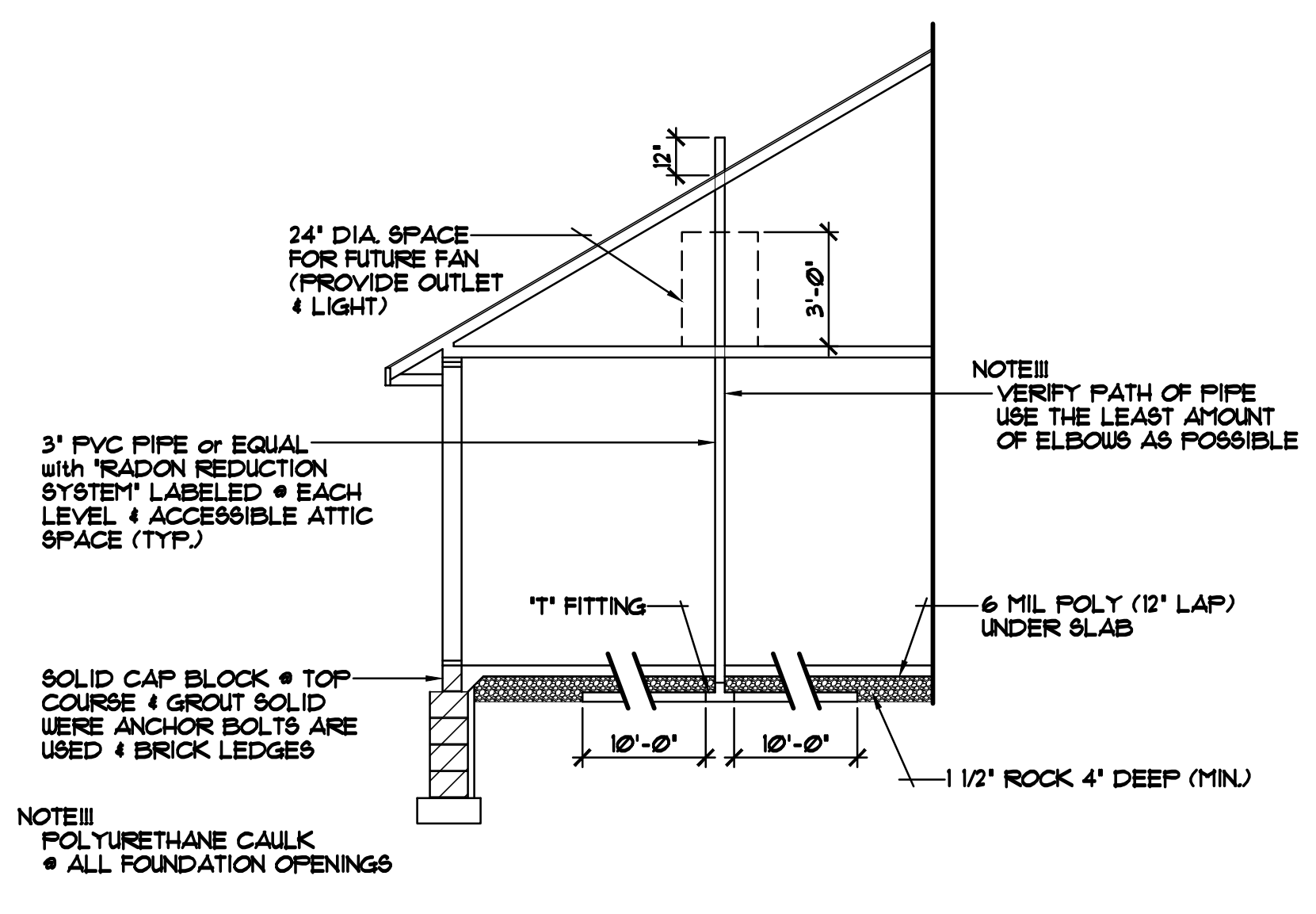
ADJUST HEEL HEIGHT TO MATCH SAME PLANE AS ROOF TRUSSES WITH 32'-0" SPAN (SEE ELEVATIONS & ROOF PLAN)



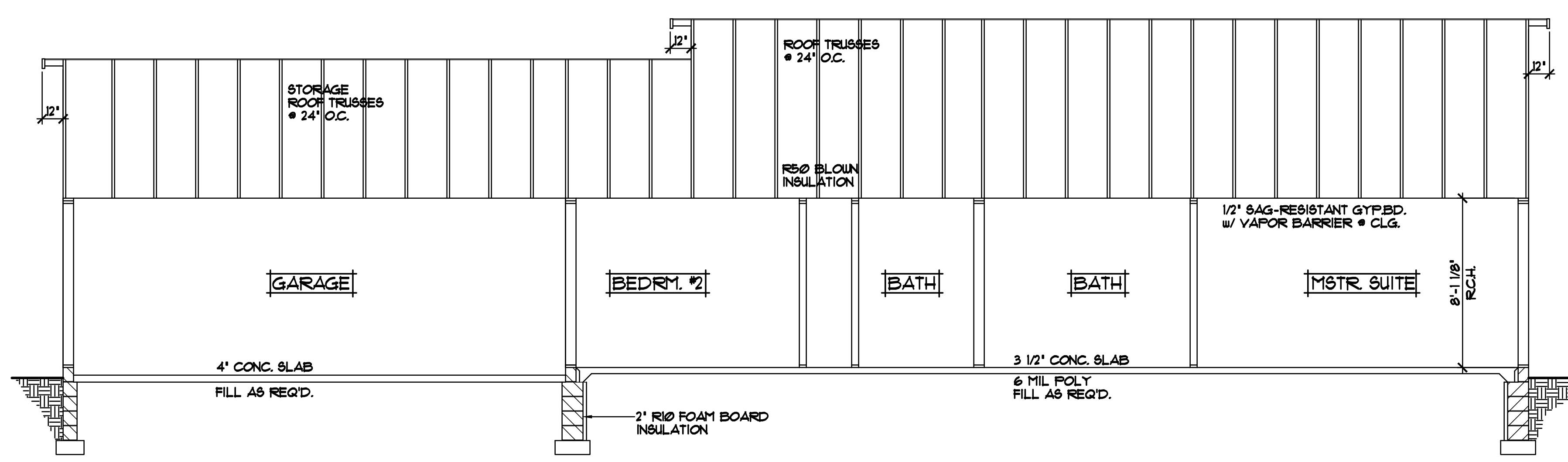
CROSS SECTION "B" 1/4"=1'-0"



BIRD'S-EYE ROOF PLAN 1/8"=1'-0"

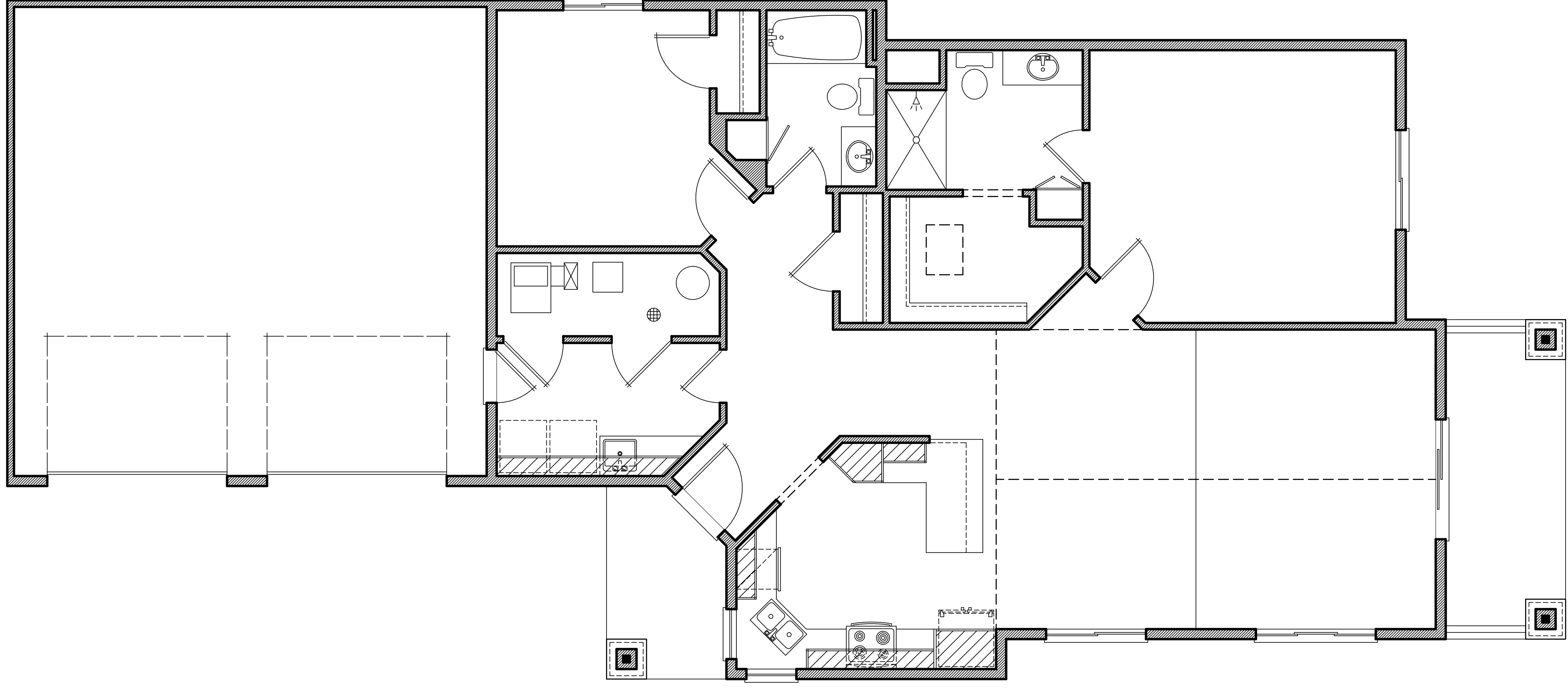


ALTERNATE METHOD FOR PASSIVE RADON MITIGATION SYSTEM



CROSS SECTION "C" 1/4"=1'-0"

LIGHT FIXTURE SYMBOLS	
	LIGHT - CEILING FIXTURE
	LIGHT - RECESSED FIXTURE
	LIGHT - RECESSED DIRECTIONAL
	LIGHT - PENDANT
	LIGHT - TRACK
	LIGHT - FLUORESCENT
	LIGHT - WALL MOUNTED



REVISIONS
XXXXXX BY:XX
XXXXXX BY:XX

SPECIAL NOTICE:
 CROIX DESIGN & DRAFTING, INC. ACCEPTS NO RESPONSIBILITY FOR ERRORS AND/OR OMISSIONS. THESE DRAWINGS ARE DESIGN CONCEPT ONLY. EVERY EFFORT HAS BEEN MADE TO VERIFY THE ACCURACY OF THE INFORMATION PROVIDED. THE CONTRACTOR SHALL CHECK ALL DETAILS AND CONDITIONS OF THE PROJECT AND BE RESPONSIBLE FOR ANY CHANGES OR OMISSIONS DURING CONSTRUCTION. NO REPRESENTATION IS MADE OR IMPLIED BY ANY DRAWING.

OFFICE: 763.767.6897
 FAX: 763.767.7188
 ANDOVER, MINNESOTA
 WWW.CROIXDESIGN.COM

CROIX
 DESIGN & DRAFTING, INC.

BUILT BY:
SEMLER HOMES

SHEET
 OF X
 CADD FILE #
 17126